



HARDWARE MANUAL  
**TOUCH TOY II**  
ENGLISH

## Hardware Manual Touch Toy II

<b>1</b>	<b>Operating Manual</b>	<b>5</b>
1.1	Introduction	5
1.2	Safety instructions	5
1.2.1	General Explanation	5
1.2.2	General safety instructions	6
1.3	Hardware – Check	7
1.3.1	Check after delivery	7
1.3.2	Hardware inspection	7
1.4	Transport and installation location	7
1.5	Setting up and installation	8
1.5.1	Installation	8
1.6	Start-up	8
1.7	Inspection, maintenance and servicing	9
1.7.1	General advices	9
1.7.2	Maintenance	9
1.7.3	Cleaning	9
1.8	Service	10
1.8.1	Exchange of components	10
1.9.	Shutdown	10
1.9.1	Demounting	10
1.9.2	Changeover	10
1.9.3	Disposal	10
<b>2</b>	<b>Common Data</b>	<b>11</b>
2.1	Delivered parts	11
2.2	General importer of the individual sales countries	11
<b>3</b>	<b>Technical Data</b>	<b>11</b>
3.1	Block diagram	11
3.2	Technical components	12
<b>4</b>	<b>Parts list Touch Toy II Terminal</b>	<b>13</b>

# 1 Operating Manual

This manual is to be always kept in printed form in a safe place for the later use!

## 1.1 Introduction

This manual is valid in particular for Touch Toy II Touchscreen-Terminals. Instructions for service and settings are discussed more exactly in a separate section. In case of difficulties concerning language or other kind to take up technical assistance of your dealer is absolutely recommended. The Touch Toy II is used exclusively as entertainment terminal!

### Warning:

- Any modifications on this terminal require the written agreement of the manufacturer.
- Modifications in the sense of the technical progress reserved, however no upgrade obligation.
- Copyright by Quanmax AG , Photo Play Straße 1, A-4860 Lenzing, Austria

**In case of inappropriate use the company Quanmax AG and your general importer assume no liability.**

## 1.2 Safety instructions



**Neglect can lead to personal injuries or fatal injuries.**

### 1.2.1 General Explanations

Work on the Touch Toy II terminal may be accomplished only by authorized technical authorities; otherwise it could come to injuries of the persons and/or permanent damages of the terminal. Possible consequences could be for example:

- Expiration of warranty
- Expensive repairs
- Exchange of components

Before the installation, startup and maintenance the owner of the terminal has to commit himself to make all persons familiar with the Touch Toy. Further he is obligated to have read and understood the technical instructions. In addition he has to guarantee that the persons are accordingly qualified. Only these persons may possess the key for the dust cover. The manual has to be kept safe and well accessible for the later use.

In the case of inappropriate use like for example:

- Arbitrary Change
- Inappropriate Handling
- In case of neglect of the manual no liability is assumed for accidents, injuries and damages!

For further information contact your dealer. We ask you to follow the safety instructions strictly since it concerns your security!

### 1.2.2 General safety instructions

The start-up of the terminal may take place only under exact insight into this instruction manual. Operating voltage and - frequency must agree with the values indicated at the identification plate.

Plug in the Touch Toy II Terminal only in duly installed, secured and grounded power sockets!

In the case of illegibility or damage of safety necessary references these have to be replaced IMMEDIATELY. The installation of the Touch Toy II Terminal is suitable only within closed (canopied) and dry locations. The Touch Toy II Terminal must be set up on firm and horizontal underground. Inappropriate installation may cause overthrowing of the terminal. This can lead to an implosion of the picture tube (not with Touch Toy II Terminals).



#### Danger by electric impact

Any repair work (e.g. opening the equipment) may be accomplished exclusively by technical personnel trained for it. Components can be still under voltage even if the power plug is not connected. Please follow the safety instructions in order to avoid injuries.



#### Fire hazard

Never cover the louvers. The ambient temperature should not exceed 35°C. Do not overload or overheat the mains supply circuit.

In case of malfunction always pull the power supply plug immediately and the repairs should be made only by authorized professionals.

- Repairs should always be done in idle condition
- Use original spare parts only
- Pull power supply plug only in switched off condition

**In case of neglect of the safety instructions life danger exists!**

## 1.3 Hardware Check

### 1.3.1 Check after delivery

The Touch Toy II Terminal must be examined immediately on delivery for possible transport damages. Visible damages are to be noted on the shipping company papers with the sentence "with reservation taken over", in order to secure your claims.

### 1.3.2 Hardware inspection

Adjust the power supply plug inclusive cables to the usual national standard.



#### Danger by electric impact

The connection of the power supply plug may be made only by authorized technical personnel.

## 1.4 Transport and installation location

The setting up place must be closed (canopied) and dry. The installation of Touch Toy II Terminals in dumb or wet places is strictly prohibited. This can cause accidents (electrical impact).

Please check the following points before installation:

- Plane and firm underground
- Free access to the terminal
- Louvers are not blocked

### Do not set up Touch Toy II Terminals...



...close to vitally necessary facilities, such as e.g.

- Emergency Exit
- Fire extinguishers
- First aid kits



...heat sources, such as e.g.

- radiators
- air conditioning units
- sun decks
- strong solar irradiation



...strong environmental pollution, such as e.g.

- Dust and Pollution development
- Rain and humidity
- Strong magnetism or radiowave propagation
- Heat (ambient temperature not to exceed 35°C)

**Warning:** The plug socket must have a good grounding!

Position the power supply cable in such a way that danger of injury and damage of the power cable are excluded.

Damages of the power cable can be caused through:

- Bending of the cable
- Putting heavy parts on top of the cable

## 1.5 Setting up and installation:

Plug in the power cable only after the installation! The Touch Toy II Terminal has to be acclimatised at least 4 hours after delivery.

### 1.5.1 Installation

The Touch Toy II Terminal is mounted completely. No further installation work is required.

## 1.6 Start-up

After finished hardware check (see point 1,3) switch on the appliance switch. With signs of smoke development, whistles, stinging smell pull the power supply plug immediately. In case of problems please get in contact with your general importer immediately.

The following dangers can occur:



### Fire hazard

In case of smoke development pull the power cord immediately!



### Danger by electric impact

Follow the safety instructions!

The terminal specific settings are listed in "Technical Data" (point 3).

## 1.7 Inspection, maintenance and servicing

### 1.7.1 General advices



### Danger by electric impact

Follow the safety instructions!

Check plug socket always for good grounding. In case of visible damage of the power cord take the Touch Toy II Terminal immediately out of operation. Repair work at the power cord has to be done exclusively by electrical specialists.

Gradual examination on legibility and presence of the warning references and the identification plate.

### 1.7.2 Maintenance

The Touch Toy II Terminal does not require an extended maintenance obligation.

Warning:

There are several stickers and imprints on those signs of wear can arise. Please control constantly the completeness of the safety references and get in contact with your general importer if necessary.

### 1.7.3 Cleaning

The care of the housing and the Touchscreen glass should take place with a soft cleaning cloth and a cleaner (not on vinegar basis).

## 1.8 Service



**Danger by electric impact**  
Follow the safety instructions!

### 1.8.1 Exchange of components:

- Pull power plug immediately
- Exchange parts only with original spare parts
- The article numbers are listed in the "parts list" (see point 4)

In case of doubt please contact your general importer.

## 1.9. Shutdown



**Danger by electric impact**  
Follow the safety instructions!

### 1.9.1 Demounting

Unplug the power cord from the power circuit and stow it away in the cardboard.

### 1.9.2 Changeover

Please consider the points 1.4, 1.5, 1.6 on reinstallation and/or bringing the terminal in operation again.

### 1.9.3 Disposal



**Conservation**  
Please dispose the pallet and cardboards according to the respective law.

## 2 Common Data

### 2.1 Delivered parts

- 1 Touch Toy Terminal (complete)
- 1 Set Keys (Service)
- Power cord
- Manual

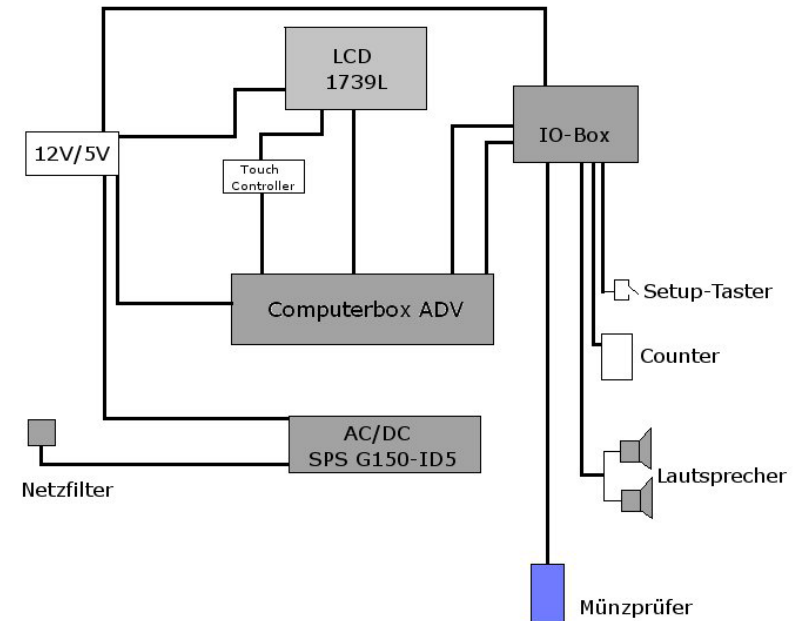
### 2.2 General importers of the individual sales countries:

Under the following address you find your regional sales partner:

[www.funworld.at](http://www.funworld.at)

## 3 Technical Data

### 3.1 Block diagram



## 3.2 Technical components

### Mainboard:

- All in One System ARK-DS303
- CPU Intel Atom N270 1.6GHz
- 4 USB Connectors
- 1024 MB Main Storage DDR2
- 1 serial interfaces
- 1 VGA Output
- Intel 945GSE + ICH7M Chipset
- SATA Harddrive 160 GB
- Power supply: 12V DC
- Power input: max. 35 W
- Operating conditions: max. humidity 20 % - 95 %
- Ambient temperature: +0°C bis 40°C
- Dimensions (H x B x T): 46 x 210 x 118,2 mm (ARK-DS303)
- Net weight: 0,9 kg (ARK-DS303)

### LCD Touch Screen Monitor:

- Power supply: 12V DC
- Power input: max. 40 W
- Operating conditions: max. humidity 20 % - 80 %
- Ambient temperature: +10°C bis 35°C

### AC/DC Converter SPS G150-ID5:

- Ambient temperature: -20°C bis 70°C
- Input voltage: selectable 115V/230V 47–63Hz
- Operating conditions: max. humidity 20 % - 90 %
- Output voltage: V1 = 12V max. 10A, V2 = 5V max. 4A | max. 125W

## 4 Parts list Touch Toy II Terminal

The parts list contains only all exchangeable hardware components and cables.

Pos.	Item number	Amount	Description
1	F7670468	1	Computerbox ADV Intel ATOM N270
2	F7671014	1	Multi IO-Box G9/IPC
3	F7660240	1	17" LCD ELO Touch Modul 1739L
4	F7200536	1	Monitorangle 1739
5	F7670019	1	Power supply LCD ELO
6	F7600074	1	Mid range Speakers
7	F7670014	1	VGA cable 1.0m
8	F7670015	1	USB TouchScreen cable 1.1m
9	F7400044	1	Power cord Euro
10	F7201048	1	USB DRM Dongle V3
11	F7201537	1	BH-counter angle
12	F7670610	1	IO cable Multi IO-Box G9/IPC/HW10 – OEM Kit
13	F7660040	1	Distribution Plate DC 12V/5V
14	F7670614	1	AC/DC Converter SPS G150-ID5
15	F7671057	1	Power supply IO
16	F7671048	1	AUDIO In 3.5mm Klinke 800mm
17	F7671047	1	USB Cable A to B 700mm
18	F7670611	1	Power cord SNT – ADV
19	F7670612	1	Power supply SNT – Distribution Plate
20	F7670613	1	Power supply mains filter – SNT
<b>Optional</b>			
21	F7201370-x	1	Coin validator SR3
22	F7000567	1	Front for coin validator
23	F7201571	1	Casing coin validator
24	F9018007	1	Coin collector
25	F7670105	1	Recessed grip for coin collector

**Quanmax AG | Division funworld**

Photo Play Str. 1, A-4860 Lenzing

Tel. +43 7662 6785 0, Fax +43 7662 6785 55

sales@funworld.com, www.funworld.com